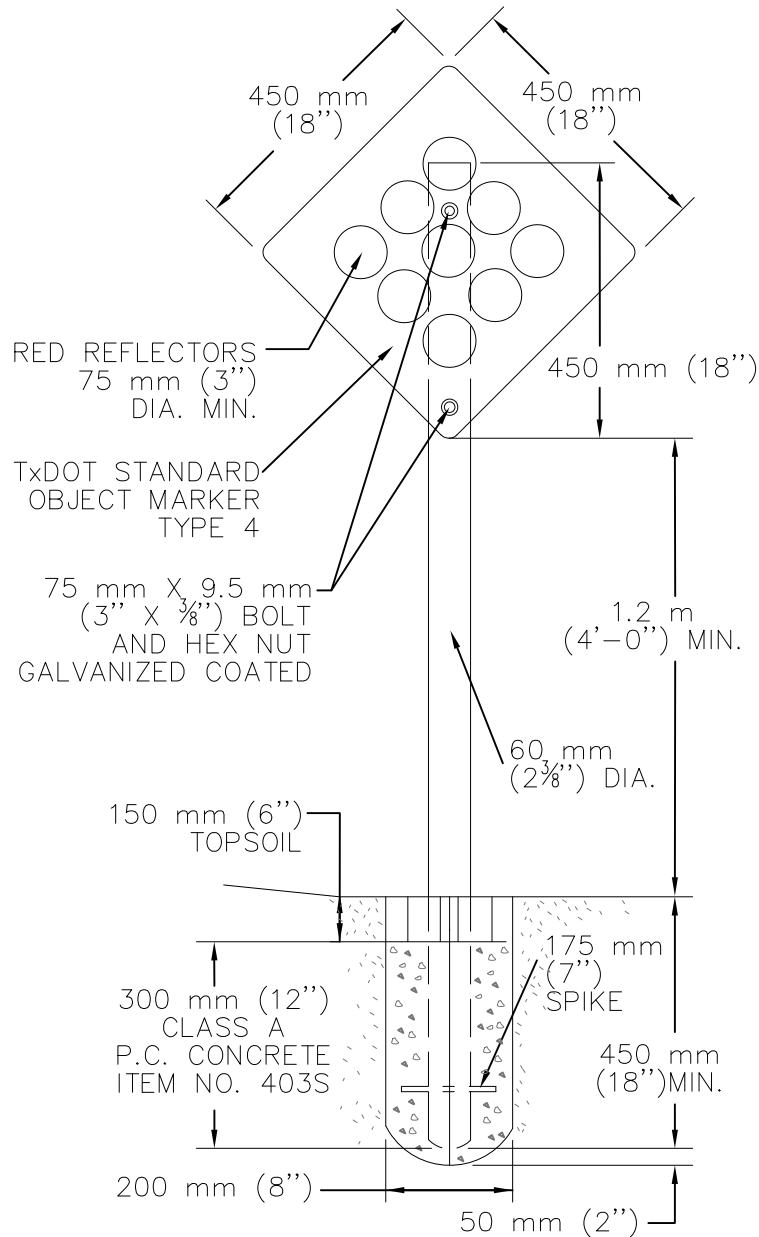


SECTION VIEW



THICKNESS 0.10"

SUBSTRATE ALUMINUM ALLOY,  
6063-T-5, OR  
6063-T-6

NOTES:

1. IF INSTALLING AT A PHASE LINE AND ROAD IS TO BE EXTENDED IN THE FUTURE, INSTALL "FUTURE STREET EXTENSION" SIGN ON CENTER POST.
2. ALL MATERIALS SHALL BE FURNISHED BY THE CONTRACTOR.
3. LETTERING SHALL BE CENTERED OF FONT TREBUCHET.
4. CITY OF CEDAR PARK LOGO GRAPHICS WILL BE PROVIDED TO CONTRACTOR IN ELECTRONIC FORMAT.

COLOR REQUIREMENTS:

1. BACKGROUND (BLUE TONED WHITE 93-21667 CROSS ALLEN OR EQUAL).
2. DARK GREEN: PMS 364C, PMS 363U, OR PMS 289-1 (70C, 0M, 100Y, 40K)
3. LIGHT GREEN: PMS 383C, PMS 390U, OR PMS 304-3 (25C, 0M, 95Y, 20K)
4. REDDISH BROWN: PMS 7517C, PMS 7526U, OR PMS 52-1 (0C, 70M, 100Y, 40K)

CITY OF CEDAR PARK

STREET END BARRICADE

ISSUED: MARCH 12, 2013  
SCALE: NOT TO SCALE

THE ENGINEER ASSUMES RESPONSIBILITY  
FOR APPROPRIATE USE OF THIS  
STANDARD.