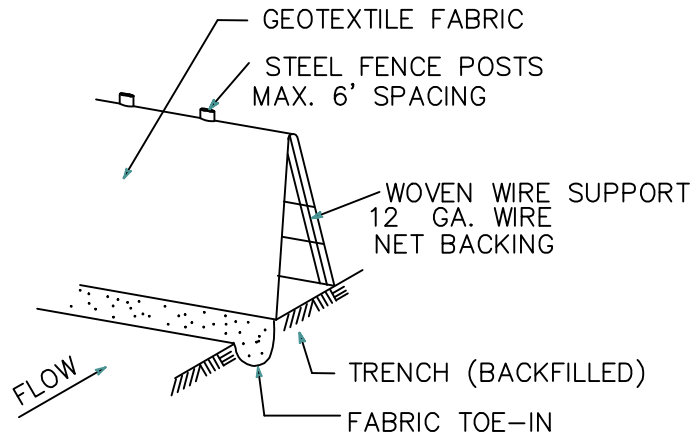


TRENCH CROSS SECTION



SILT FENCE

GENERAL NOTES:

1. SILT FENCE LOCATED ADJACENT TO PLAYGROUNDS, PARKS, SIDEWALKS, AND OTHER LOCATIONS AS DETERMINED BY CITY OF CEDAR PARK REPRESENTATIVES SHALL HAVE CITY APPROVED SAFETY CAPS ON ALL STEEL POSTS.
2. STEEL POSTS WHICH SUPPORT THE SILT FENCE SHALL BE INSTALLED ON A SLIGHT ANGLE TOWARD THE ANTICIPATED RUNOFF SOURCE.
3. POST MUST BE EMBEDDED A MINIMUM OF ONE FOOT. THE TOE OF THE SILT FENCE SHALL BE TRENCHED IN WITH A SPADE OR MECHANICAL TRENCHER, SO THAT THE DOWNSLOPE FACE OF THE TRENCH IS FLAT AND PERPENDICULAR TO THE LINE OF FLOW.
4. WHERE FENCE CAN NOT BE TRENCHED IN (E.G. PAVEMENT) WEIGHT FABRIC FLAP WITH WASHED GRAVEL ON UPHILL SIDE TO PREVENT FLOW UNDER FENCE. 6 INCHES DEEP AND 6 INCHES WIDE TO THE TRENCH MUST BE A MINIMUM OF ALLOW FOR THE SILT FENCE FABRIC TO BE LAID IN THE GROUND AND BACKFILLED WITH COMPACTED MATERIAL.
5. SILT FENCE SHOULD BE SECURELY FASTENED TO EACH STEEL SUPPORT POST OR TO WOVEN WIRE, WHICH IS IN TURN ATTACHED TO THE STEEL FENCE POST.
6. INSPECTION SHALL BE MADE WEEKLY OR AFTER EACH RAINFALL EVENT AND REPAIR OR REPLACEMENT SHALL BE MADE PROMPTLY AS NEEDED.
7. SILT FENCE SHALL BE REMOVED WHEN THE SITE IS COMPLETELY STABILIZED SO AS NOT TO BLOCK OR IMPEDE STORM FLOW OR DRAINAGE. ACCUMULATED SILT SHALL BE REMOVED WHEN IT REACHES A DEPTH OF 6 INCHES.
8. THE SILT SHALL BE DISPOSED OF IN AN APPROVED SITE AND IN SUCH A MANNER AS TO NOT CONTRIBUTE TO ADDITIONAL SILTATION.

STANDARD SYMBOL $\frac{SF}{L=}$

REV. DATE: 09/13/01

CITY OF CEDAR PARK
ENGINEERING DEPARTMENT

SILT FENCE

DARWIN MARCHELL APPROVED	09/13/2001	DATE	ADOPTED: 09/13/2001	.
			SCALE: N.T.S.	.
			INITIAL:	.