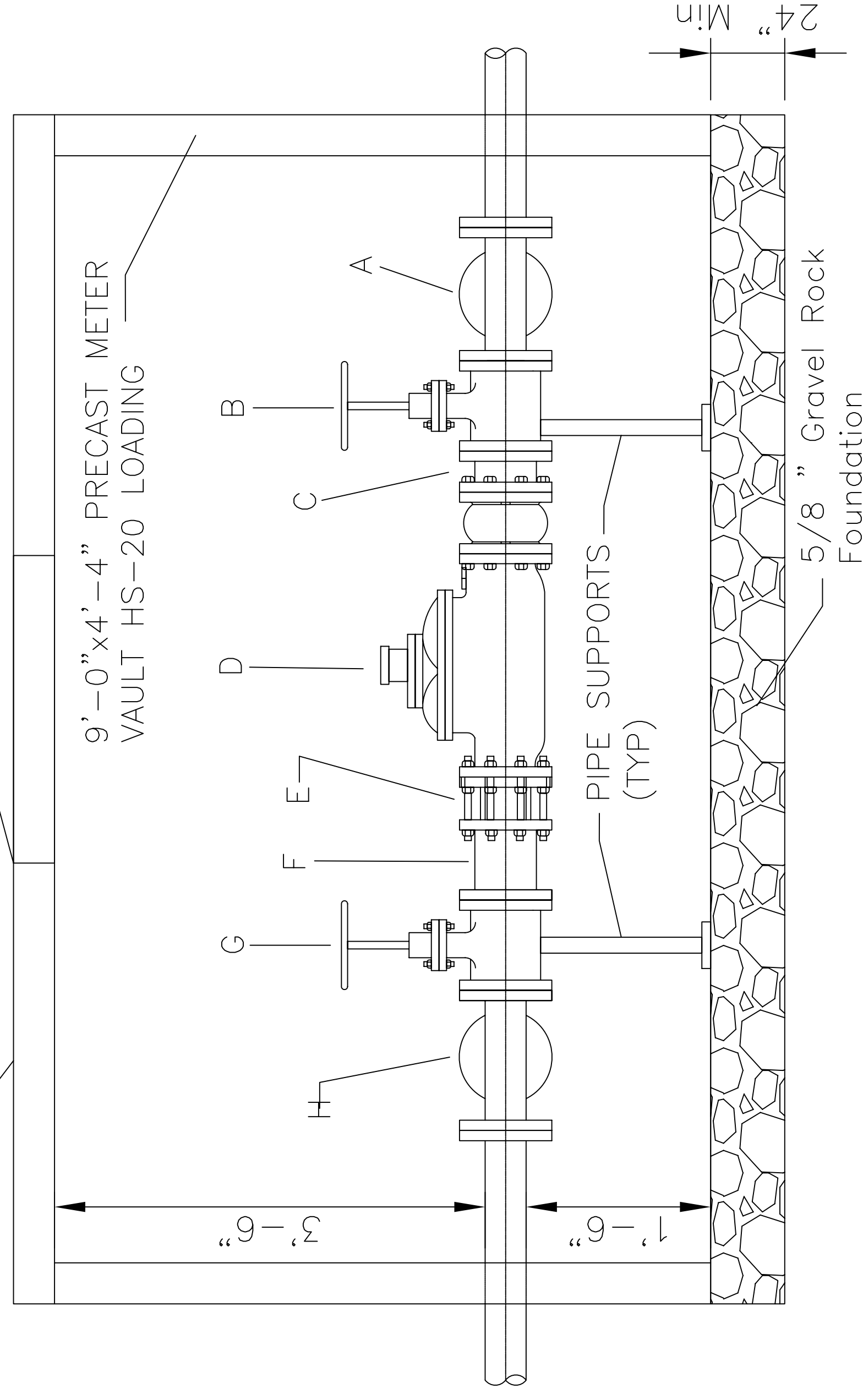


PLAN

REMOVABLE TOP
(30" X 30")
ALUM HATCH



SECTION 1

- A. 3" X 3" TEE (FL X FL) 11" RUN X 5.5" BRANCH
- 4" X 3" TEE (FL X FL) 13" RUN X 5.5" BRANCH
- 6" X 4" TEE (FL X FL) 16" RUN X 8.0" BRANCH
- B. 3" MUELLER FL X FL A-2360 RESILIENT WEDGE (length 8")
- 4" MUELLER FL X FL A-2360 RESILIENT WEDGE (length 9")
- 6" MUELLER FL X FL A-2360 RESILIENT WEDGE (length 10.5")
- C. 3" X 6" (FL X FL) SPOOL (D.I.) (C.I.)
- 4" X 6" (FL X FL) SPOOL (D.I.) (C.I.)
- 6" X 6" (FL X FL) SPOOL (D.I.) (C.I.)
- D. 3" OMNI T2 (TURBINE) OR OMNI C2 (COMPOUND) (length 17")
- 4" OMNI T2 (TURBINE) OR OMNI C2 (COMPOUND) (length 20")
- 6" OMNI T2 (TURBINE) OR OMNI C2 (COMPOUND) (length 24")
- E. 3" X 5" SMITH & BLAIR FLANGE COUPLING ADAPTER
- 4" X 5" SMITH & BLAIR FLANGE COUPLING ADAPTER
- 6" X 5" SMITH & BLAIR FLANGE COUPLING ADAPTER
- F. 3" X 18" (FL X PL) (CUT IF NEEDED)
- 4" X 18" (FL X PL) (CUT IF NEEDED)
- 6" X 18" (FL X PL) (CUT IF NEEDED)
- G. 3" MUELLER FL X FL A-2360 RESILIENT WEDGE (length 8")
- 4" MUELLER FL X FL A-2360 RESILIENT WEDGE (length 9")
- 6" MUELLER FL X FL A-2360 RESILIENT WEDGE (length 10.5")
- H. 3" X 3" TEE (FL X FL) 11" RUN X 5.5" BRANCH
- 4" X 3" TEE (FL X FL) 13" RUN X 5.5" BRANCH
- 6" X 4" TEE (FL X FL) 16" RUN X 8.0" BRANCH
- I. 3" 90 degree BEND (FL X FL)
- 4" 90 degree BEND (FL X FL)
- J. 3" X 4' (FL X PL) (D.I.) (C. I.) PIPE (CUT IF NEEDED)
- 4" X 4' (FL X PL) (D.I.) (C. I.) PIPE (CUT IF NEEDED)
- K. 3" X 5" SMITH & BLAIR FLANGE COUPLING ADAPTER (912)
- 4" X 5" SMITH & BLAIR FLANGE COUPLING ADAPTER (912)
- L. 3" MUELLER FL X FL A-2360 RESILIENT WEDGE (length 8")
- 4" MUELLER FL X FL A-2360 RESILIENT WEDGE (length 9")
- M. 3" 90 degree BEND (FL X FL)
- 4" 90 degree BEND (FL X FL)